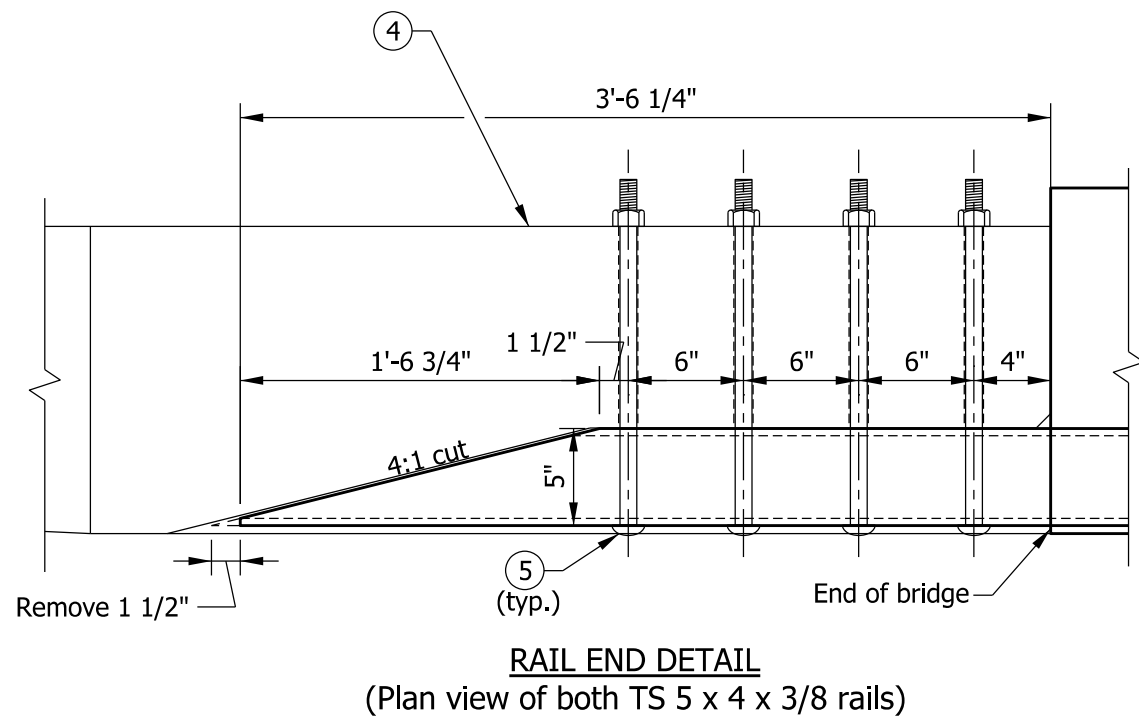


ELEVATION

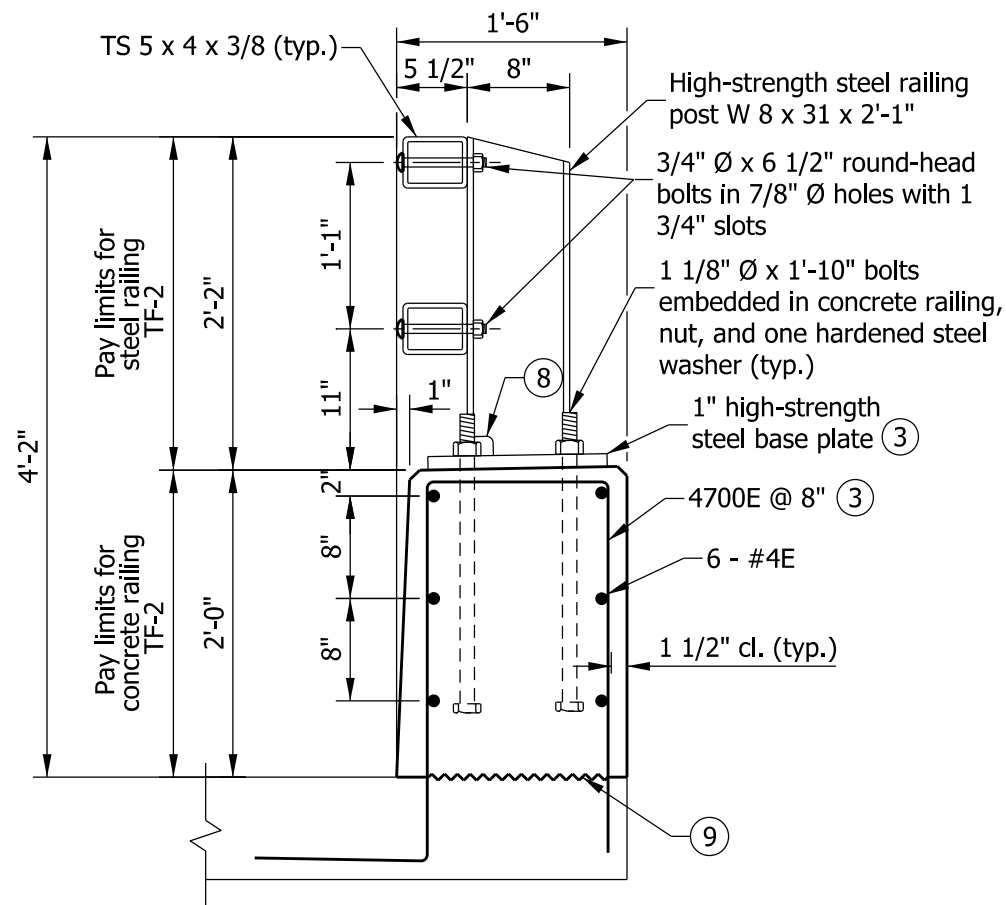
NOTES

- 1 Spacing of joints in tube steel: 20' min. to 40' max.
- 2 See Standard Drawing E 706-BRTF-02 for railing tube details and rail splice details.
- 3 See Standard Drawing E 706-BRTF-03 for base plate details and reinforcing-bar bends.
- 4 Concrete bridge railing transition type TTF-2. See Standard Drawings E 706-TTTF-01 through -04 for details.
- 5 7/8" Ø x 1'-6" round-head bolt in 1" Ø hole. Hole is to be slotted as required for expansion.
- 6 Spacing of rail posts: 4'-0" min. to 7'-6" max.
- 7 Distance from centerline of rail splice to centerline of rail post: 18" min. to 30" max.
- 8 Weld-access hole. See Standard Drawing E 706-BRTF-03 for detail.
- 9 Construction joint type A. See Standard Drawing E 702-CJTA-01 for details.




RAIL END DETAIL

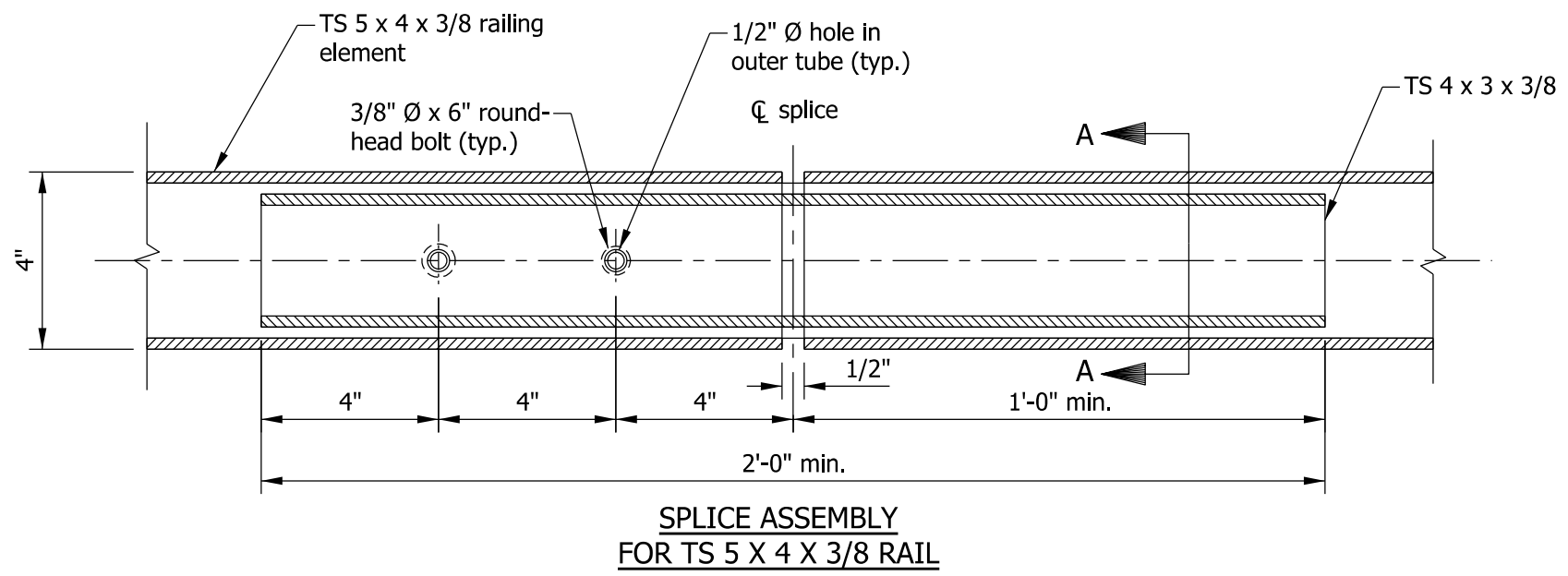
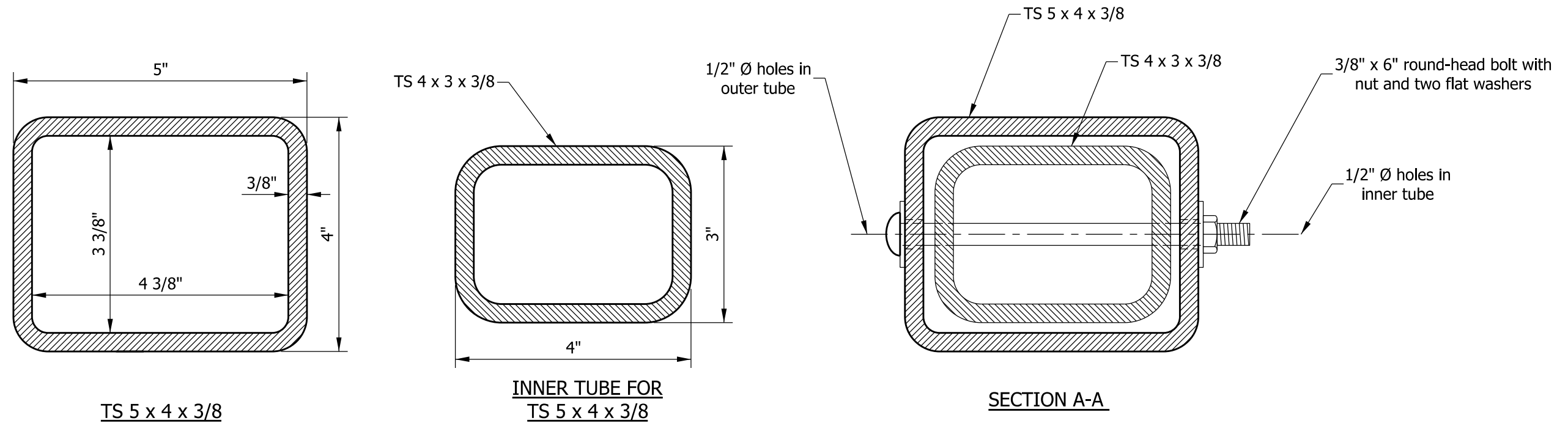
(Plan view of both TS 5 x 4 x 3/8 rails)



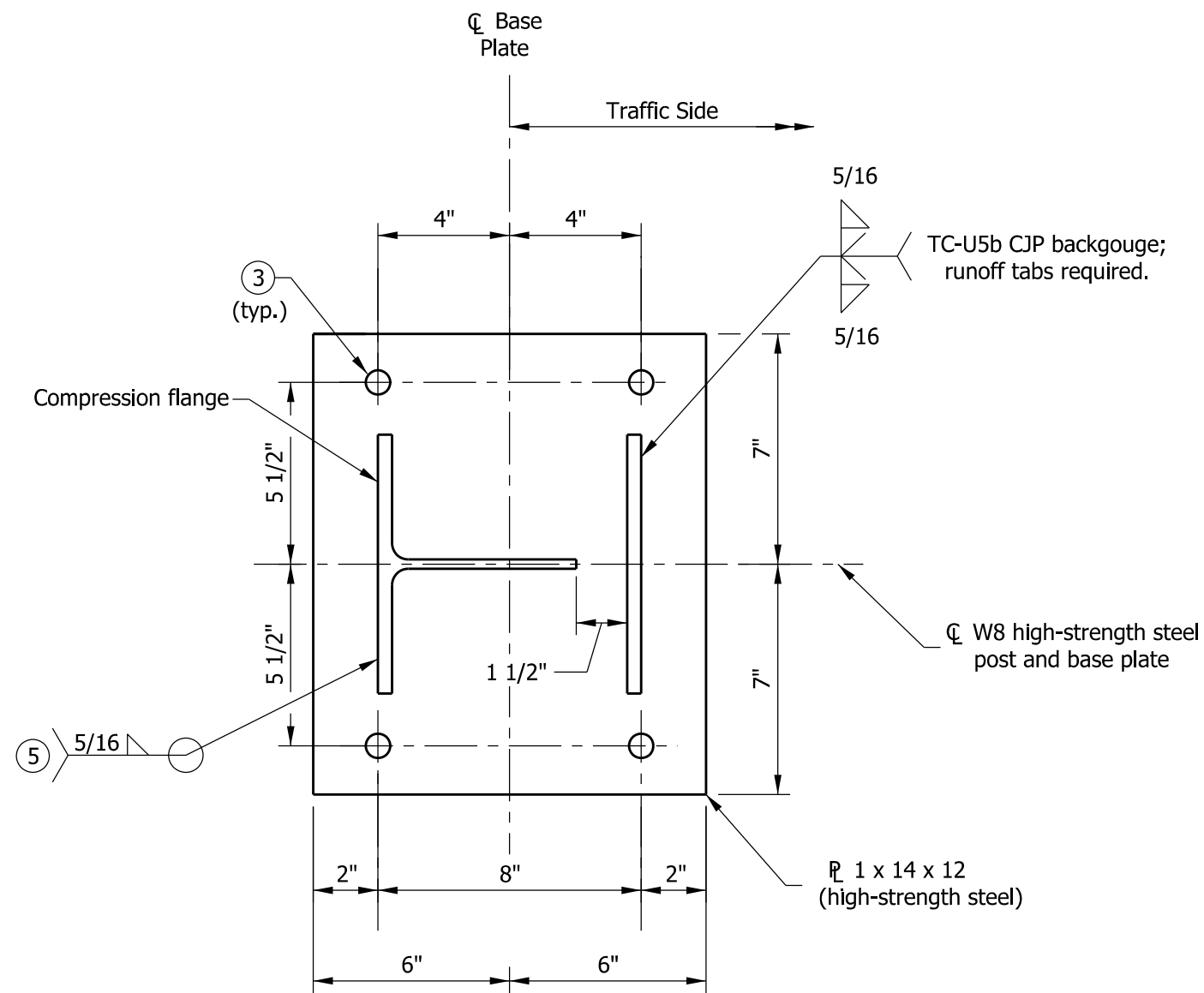
TYPICAL SECTION

QUANTITIES FOR ONE RUNNING FOOT OF RAILING	
Concrete, class C	2.92 CFT
Reinforcing bars	11.0 LBS

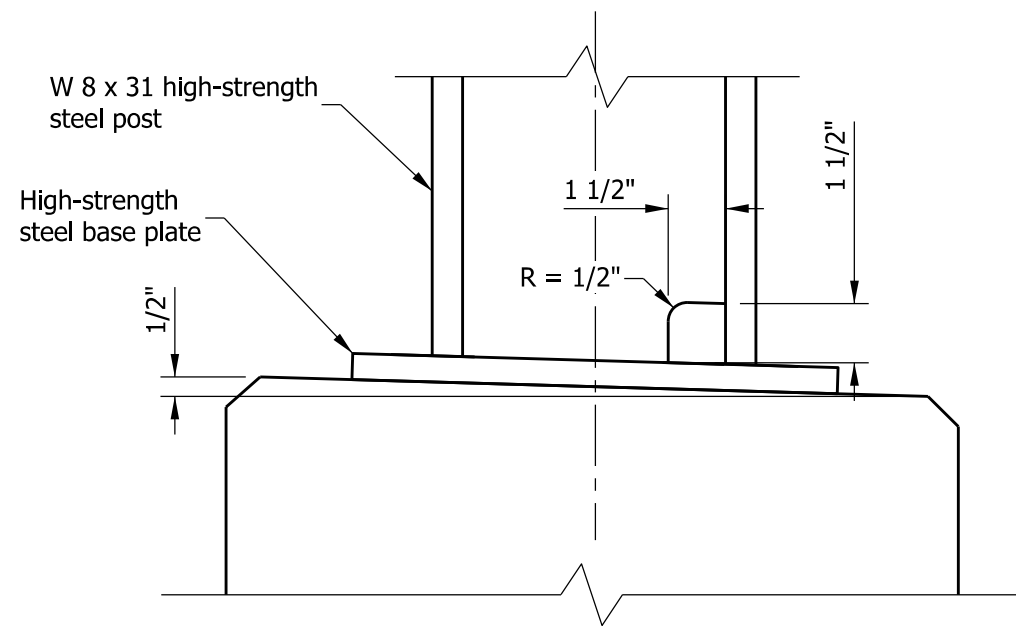
INDIANA DEPARTMENT OF TRANSPORTATION	
RAILING, TF-2	
SEPTEMBER 2012	
STANDARD DRAWING NO.	E 706-BRTF-01
	/s/ <i>Richard L. VanCleave</i> 09/04/12 SUPERVISOR, ROADWAY STANDARDS DATE
	/s/ <i>Mark A. Miller</i> 09/04/12 CHIEF ENGINEER DATE



INDIANA DEPARTMENT OF TRANSPORTATION	
RAILING, TF-2 RAIL SPLICE DETAILS	
SEPTEMBER 2012	
STANDARD DRAWING NO.	E 706-BRTF-02
	/s/ <i>Richard L. VanCleave</i> 09/04/12 SUPERVISOR, ROADWAY STANDARDS DATE
	/s/ <i>Mark A. Miller</i> 09/04/12 CHIEF ENGINEER DATE



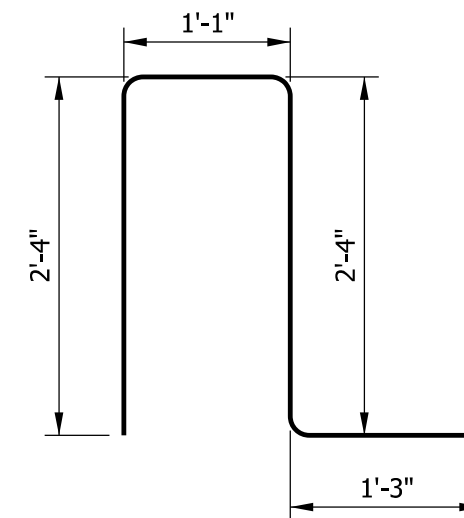
BASE PLATE DETAIL



WELD-ACCESS HOLE DETAIL

NOTES

1. See Standard Drawing E 703-BRST-01 for reinforcing-bar bending details and notes.
2. All chamfered edges shall be 3/4".
- ③ 1 3/8" Ø holes for 1 1/8" anchor bolts.
4. All reinforcing bars designated E shall be epoxy coated.
- ⑤ Mill to bear flush with base plate prior to welding to ensure that the final position of the post is vertical.



4700E x 7'-0"

INDIANA DEPARTMENT OF TRANSPORTATION	
RAILING, TF-2 DETAILS	
SEPTEMBER 2012	
STANDARD DRAWING NO.	E 706-BRTF-03
	/s/ <i>Richard L. VanCleave</i> 09/04/12 SUPERVISOR, ROADWAY STANDARDS DATE
	/s/ <i>Mark A. Miller</i> 09/04/12 CHIEF ENGINEER DATE